



## CORD PULL DOUBLE POLE SWITCHES

CORD PULL DOUBLE POLE

### RATINGS

1 A 250 V a.c.

0.5A 250 V d.c.

Silver plated contacts for low current applications



Standard switch (SLSL wiring)



Standard switch with short fixing ring



Switch with solder tags and long ring



Tubular bead



Globe bead

### SWITCH

TYPES	ORDER CODE
<b>Pull On / Pull Off (OO)</b> Make and break action	C2OO
<b>Pull On / Pull Off (CH)</b> Make and break reversed action	C2CH

### WIRING

BASE	CABLE ENTRY	CLAMPING SCREW	ORDER CODE
First	Short side	Long side	SLSL
Second	Short side	Long side	
First	Solder tags (Long side of body)		STST
Second	Solder tags (Long side of body)		

### CORD

LENGTH	WHITE	RED	ORANGE
30 cm	030W	030R	030N
60 cm	060W	060R	060N
100 cm	100W	100R	100N
200 cm	200W	200R	200N

### BEAD

TYPE	WHITE	CREAM	BLACK
Tubular (Ø 6 x 17mm)	17W	17C	17B
Tubular (Ø 8 x 22mm)	22W	22C	-
Globe (Ø 14 x 12mm)	GBW	-	-

### ACCESSORIES

ITEM	ORDER CODE
Fibre washer (Ø 15.9 x 1.2mm thick)	44
Hex. lock nut (M10)	65

### STANDARD SWITCHES

Omeg manufactured Castelco switches have a M10 metric threaded mounting bush and fixing ring.

### WIRING

Screwed terminal locations will be as shown overleaf (order code SL, see table opposite).

### STANDARD COLOURS

The switch body and cord are white. The fixing ring and bead are either white or cream.

### FIXING RING

ITEM	ORDER CODE
Long fixing ring, White (drawing overleaf)	2LW
Long fixing ring, Cream (drawing overleaf)	2LC
Short fixing ring, White (drawing overleaf)	2SW
Short fixing ring, Cream (drawing overleaf)	2SC

### ORDERING CODES

C2OO SLSL 030W / 2SW 17W

Switch \_\_\_\_\_

Wiring \_\_\_\_\_

Cord \_\_\_\_\_

Fixing Ring (if required) \_\_\_\_\_

Bead \_\_\_\_\_

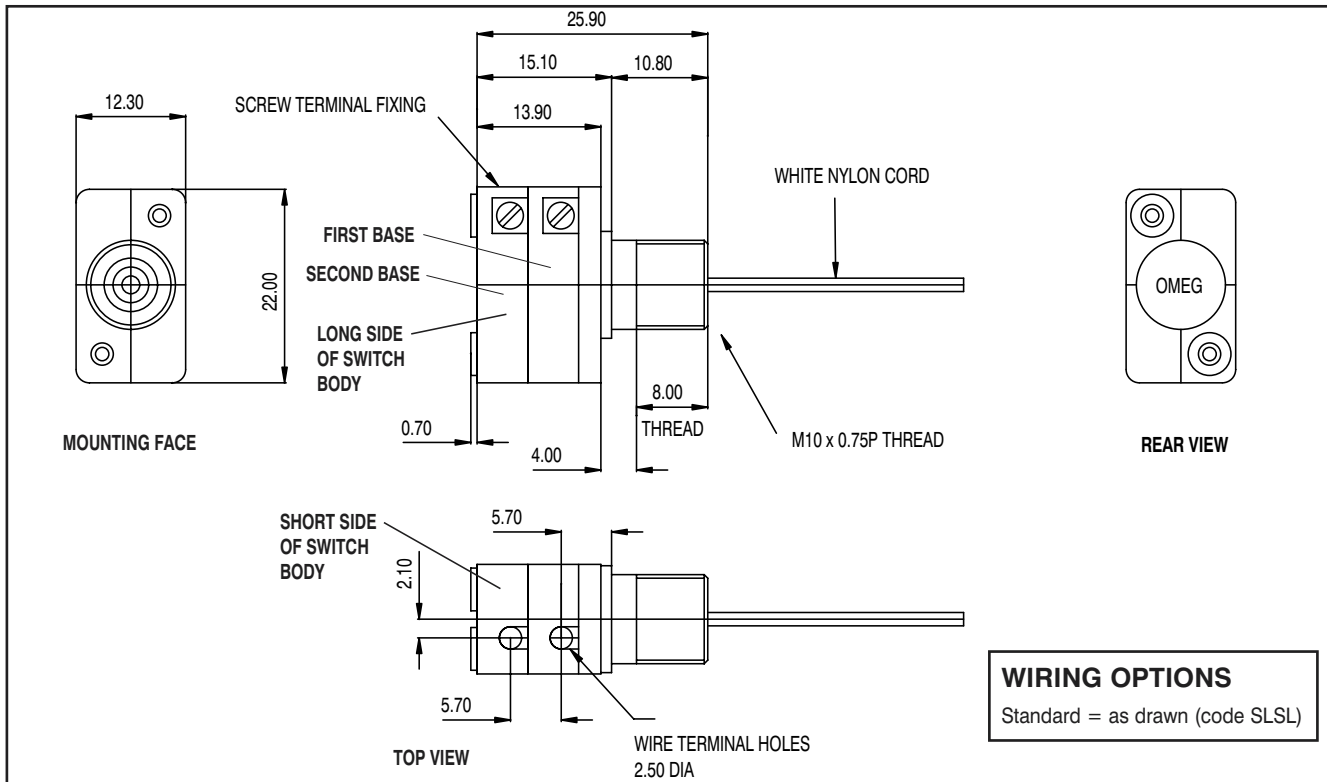
Example above: C2OOSLSL030W/2SW17W is a cord pull double pole switch, pull on/pull off action, standard SLSL wiring, with a 30cm white cord, a short white fixing ring and a 17mm white tubular bead.



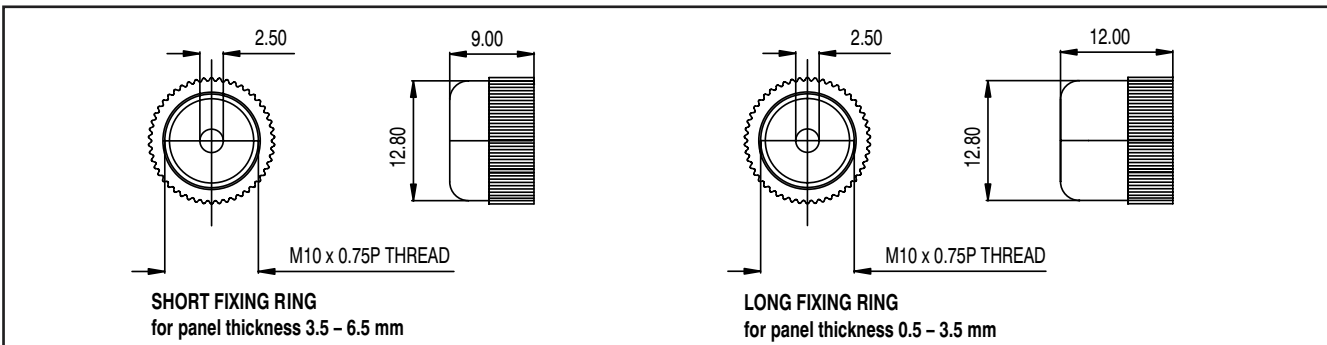
# CORD PULL DOUBLE POLE SWITCHES

(as formerly manufactured by CASTELCO)

## STANDARD UNITS



## FIXING RINGS



## GLOSSARY OF SWITCH TERMINOLOGY

### SINGLE POLE (SP or 1S)

One circuit that is turned 'on' and then 'off' with each actuation. This action can be momentary.

### DOUBLE POLE (DP or 2S)

Two independent circuits that are turned 'on' and then 'off' with each actuation. This action can be momentary.

### TWO-CIRCUIT CHANGEOVER (CH)

Make and break, reversed action.

When the switch is actuated, circuit one turns 'on' and circuit two turns 'off'.

When the switch is actuated again the two circuits are reversed, circuit one turns 'off' and circuit two turns 'on'.

### PULL ON / PULL OFF (OO)

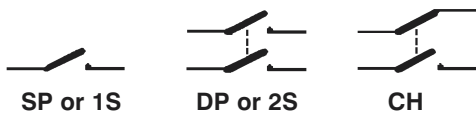
Each action returns the switch to the previous state and it stays in that state. However, unlike a switch with a lever (or similar external indication) you cannot know what state the switch is in until it is connected to an electrical circuit.

### MOMENTARY ACTION

NC – normally closed 'Pull to break, release to make'.

NO – normally open 'Pull to make, release to break'  
e.g. Bell action.

(Note: The 'Normal' position is when the switch is at rest i.e. NOT actuated).



**OMEG LIMITED**, Imberhorne Industrial Estate, East Grinstead, West Sussex RH19 1RJ  
Tel: 01342 410420 Fax: 01342 316253 Email: sales@omeg.com Web: www.castelco.co.uk

CORD PULL DOUBLE POLE SWITCHES