



# CORD PULL SINGLE POLE SWITCHES

CORD PULL SINGLE POLE

**RATINGS**  
 1 A 250 V a.c.  
 0.5A 250 V d.c.  
 Silver plated contacts for low current applications

## SWITCH

| TYPES   | ORDER CODE |
|---|------------|
| <b>Pull On / Pull Off (OO)</b><br>Make and break action                                 | C1OO       |
| <b>Momentary Action (NO)</b><br>Pull to make, release to break<br>e.g. <b>Bell Pull</b> | C1NO       |
| <b>Momentary Action (NC)</b><br>Pull to break, release to make                          | C1NC       |

## WIRING

| CABLE ENTRY                     | CLAMPING SCREW POSITION | ORDER CODE |
|---------------------------------|-------------------------|------------|
| Rear face                       | Long side of body       | RL         |
| Rear face                       | Short side of body      | RS         |
| Short side of body              | Long side of body       | SL         |
| Mounting face                   | Long side of body       | ML         |
| Solder Tags (Long side of body) |                         | ST         |

## CORD

| LENGTH | WHITE | RED  | ORANGE |
|--------|-------|------|--------|
| 30 cm  | 030W  | 030R | 030N   |
| 60 cm  | 060W  | 060R | 060N   |
| 100 cm | 100W  | 100R | 100N   |
| 200 cm | 200W  | 200R | 200N   |

## BEAD

| TYPE                 | WHITE | CREAM | BLACK |
|----------------------|-------|-------|-------|
| Tubular (Ø 6 x 17mm) | 17W   | 17C   | 17B   |
| Tubular (Ø 8 x 22mm) | 22W   | 22C   | -     |
| Globe (Ø 14 x 12mm)  | GBW   | -     | -     |

## ACCESSORIES

| ITEM                                | ORDER CODE |
|-------------------------------------|------------|
| Fibre washer (Ø 15.9 x 1.2mm thick) | 44         |
| Hex. lock nut (M10)                 | 65         |

## STANDARD SWITCHES

Omeg manufactured Castelco switches have a M10 metric threaded mounting bush and fixing ring.

## WIRING

Screwed terminal locations will be as shown overleaf (order code RL, see table opposite).

## STANDARD COLOURS

The switch body and cord are white. The fixing ring and bead can be either white or cream.

## FIXING RING

| ITEM   | ORDER CODE |
|--|------------|
| Long fixing ring, White ( <i>drawing overleaf</i> )  | 2LW        |
| Long fixing ring, Cream ( <i>drawing overleaf</i> )  | 2LC        |
| Short fixing ring, White ( <i>drawing overleaf</i> ) | 2SW        |
| Short fixing ring, Cream ( <i>drawing overleaf</i> ) | 2SC        |

## ORDERING CODES

C1OO RL 030W / 2LW 17W

**Switch**

**Wiring**

**Cord**

**Fixing Ring (if required)**

**Bead**

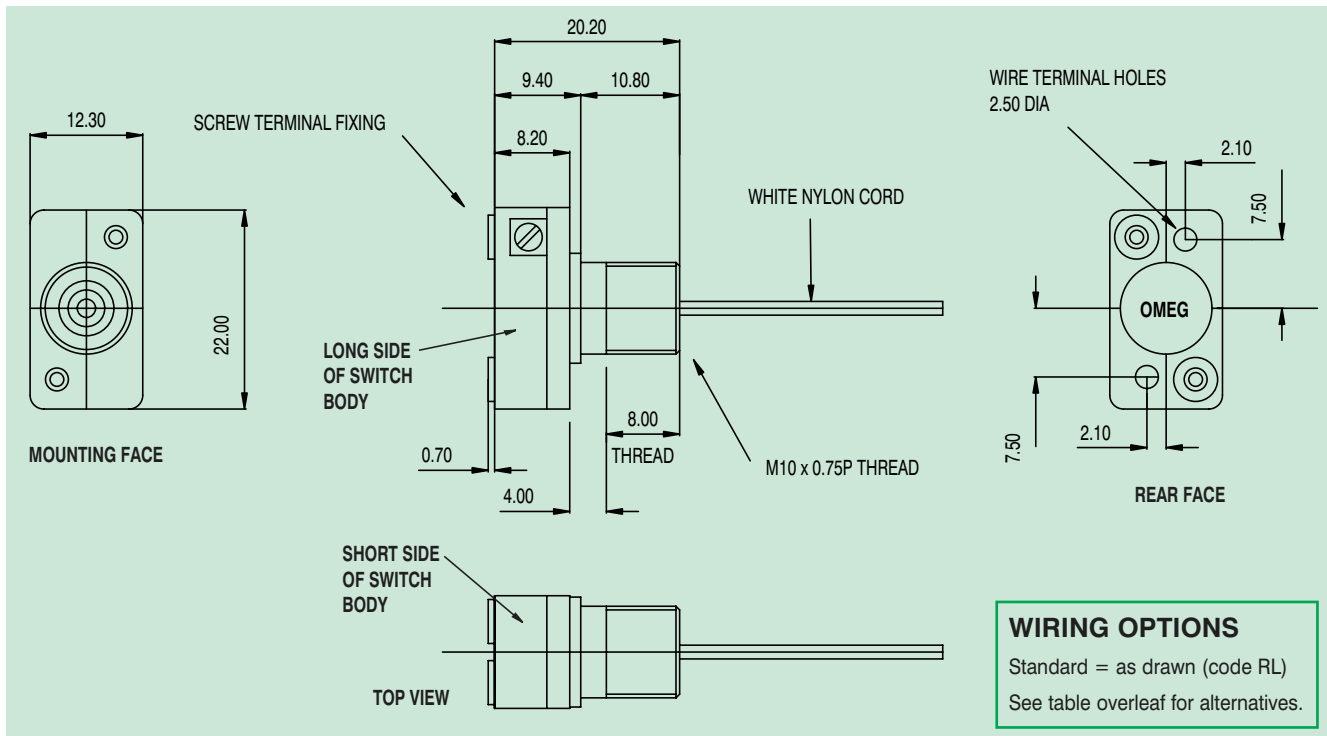
Example above: C1OORL030W/2LW17W is a cord pull single pole switch, pull on/pull off action, standard RL wiring, with a 30cm long white cord, a long white fixing ring and a 17mm long white tubular bead.



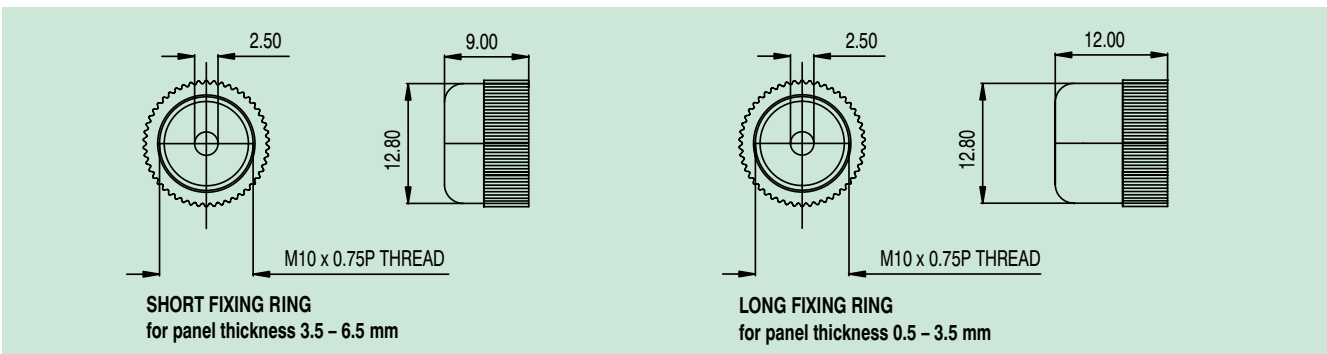
# CORD PULL SINGLE POLE SWITCHES

(as formerly manufactured by CASTELCO)

## STANDARD UNITS



## FIXING RINGS



## GLOSSARY OF SWITCH TERMINOLOGY

### SINGLE POLE (SP or 1S)

One circuit that is turned 'on' and then 'off' with each actuation. This action can be momentary.

### DOUBLE POLE (DP or 2S)

Two independent circuits that are turned 'on' and then 'off' with each actuation. This action can be momentary.

### TWO-CIRCUIT CHANGEOVER (CH)

Make and break, reversed action.

When the switch is actuated, circuit one turns 'on' and circuit two turns 'off'.

When the switch is actuated again the two circuits are reversed, circuit one turns 'off' and circuit two turns 'on'.

### PULL ON / PULL OFF (OO)

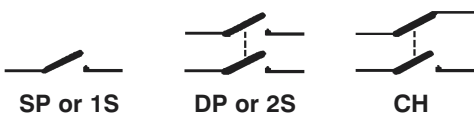
Each action returns the switch to the previous state and it stays in that state. However, unlike a switch with a lever (or similar external indication) you cannot know what state the switch is in until it is connected to an electrical circuit.

### MOMENTARY ACTION

NC – normally closed 'Pull to break, release to make'.

NO – normally open 'Pull to make, release to break'  
 e.g. Bell action.

(Note: The 'Normal' position is when the switch is at rest i.e. NOT actuated).



OMEG LIMITED, Imberhorne Industrial Estate, East Grinstead, West Sussex RH19 1RJ  
 Tel: 01342 410420 Fax: 01342 316253 Email: sales@omeg.com Web: www.castelco.co.uk