



# PUSH BUTTON SINGLE POLE SWITCHES

(as formerly manufactured by CASTELCO)

PUSH BUTTON SINGLE POLE

## RATINGS

1 A 250 V a.c.

0.5A 250 V d.c.

Silver plated contacts for low current applications



Standard switch (RL wiring)



Standard switch with short fixing ring



Switch with solder tags and long fixing ring

## SWITCH

| TYPES  | ORDER CODE |
|--|------------|
| <b>Push On / Push Off (OO)</b><br>Make and break action  | B1OO       |
| <b>Momentary Action (NO)</b><br>Push to make, release to break e.g. <b>Bell Push</b>           | B1NO       |
| <b>Momentary Action (NC)</b><br>Push to break, release to make e.g. <b>Door open, light on</b> | B1NC       |

## WIRING

| CABLE ENTRY                     | CLAMPING SCREW POSITION | ORDER CODE |
|---------------------------------|-------------------------|------------|
| Rear face                       | Long side of body       | RL         |
| Rear face                       | Short side of body      | RS         |
| Short side of body              | Long side of body       | SL         |
| Mounting face                   | Long side of body       | ML         |
| Solder Tags (Long side of body) |                         | ST         |

## BUTTON COLOUR

| BUTTON   | ORDER CODE |
|----------|------------|
| White    | W          |
| Cream    | C          |
| Luminous | L          |

## FIXING RING

| ITEM   | ORDER CODE |
|--|------------|
| Long fixing ring, <b>White</b> (drawing overleaf)  | 6LW        |
| Long fixing ring, <b>Cream</b> (drawing overleaf)  | 6LC        |
| Short fixing ring, <b>White</b> (drawing overleaf) | 6SW        |
| Short fixing ring, <b>Cream</b> (drawing overleaf) | 6SC        |

## STANDARD SWITCHES

All Omeg manufactured Castelco switches have a M10 metric threaded mounting bush and fixing ring.

### WIRING

Screwed terminal locations as shown overleaf (order code RL, see table opposite).

### STANDARD COLOURS

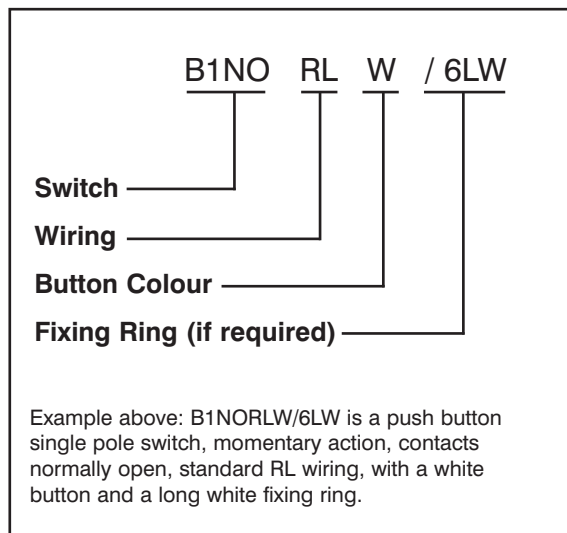
The switch body is white. The fixing ring and push button can be either cream or white.

NOTE: Switches with luminous buttons do not have luminous fixing rings.

## ACCESSORIES

| ITEM                                | ORDER CODE |
|-------------------------------------|------------|
| Fibre washer (Ø 15.9 x 1.2mm thick) | 44         |
| Hex. lock nut (M10)                 | 65         |

## ORDERING CODES

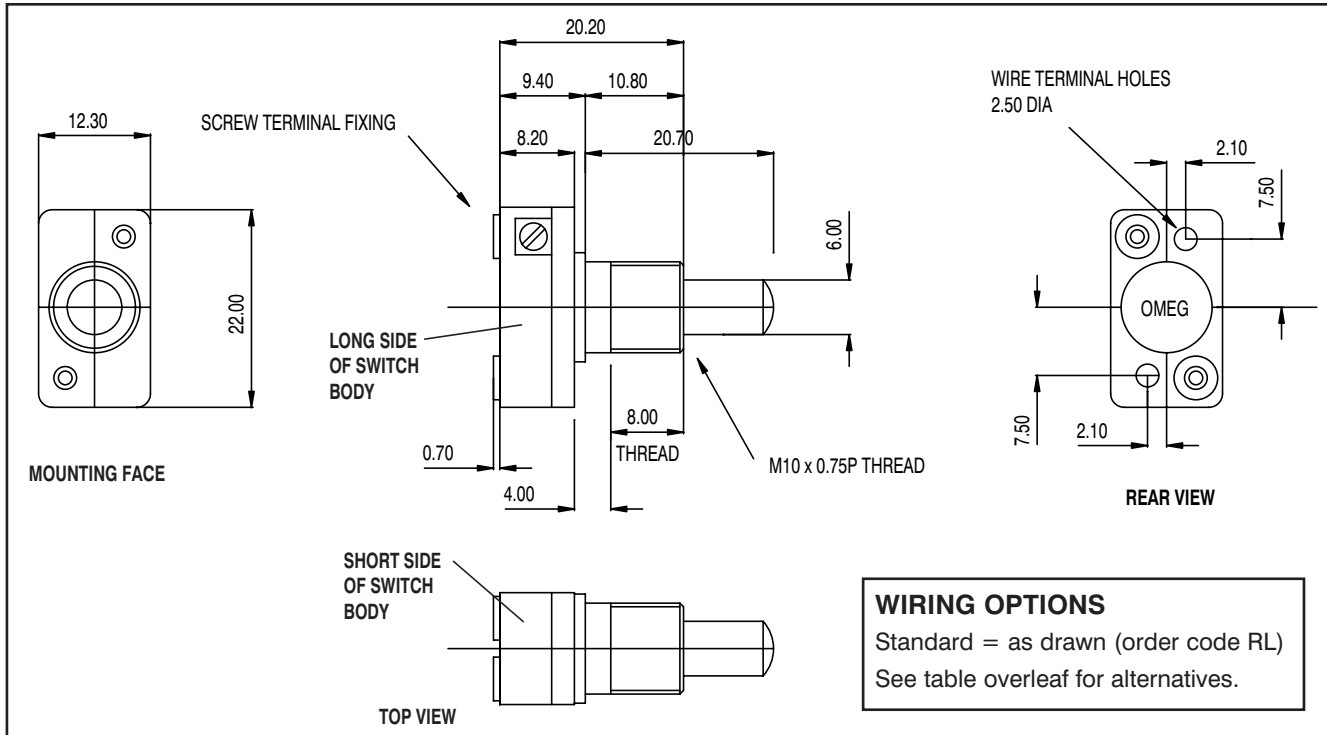




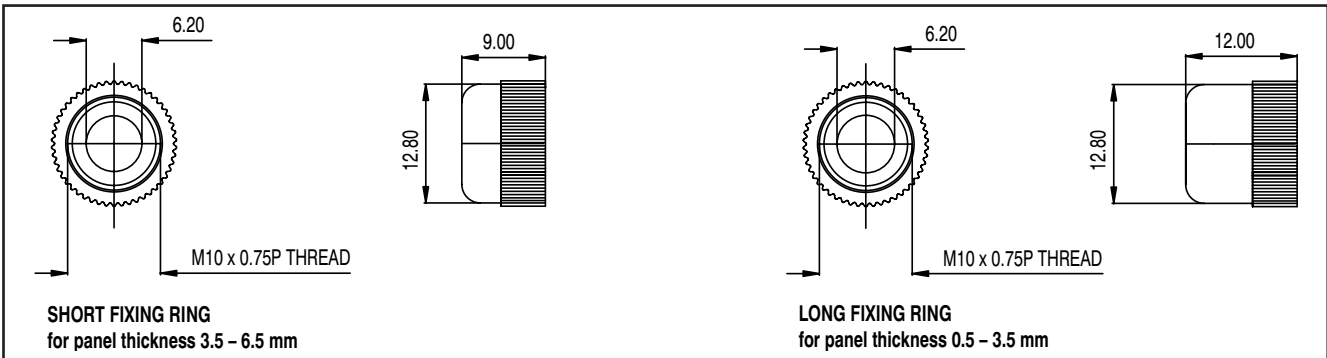
# PUSH BUTTON SINGLE POLE SWITCHES

(as formerly manufactured by CASTELCO)

## STANDARD UNITS



## FIXING RINGS



## GLOSSARY OF SWITCH TERMINOLOGY

### SINGLE POLE (SP or 1S)

One circuit that is turned 'on' and then 'off' with each actuation. This action can be momentary.

### DOUBLE POLE (DP or 2S)

Two independent circuits that are turned 'on' and then 'off' with each actuation. This action can be momentary.

### TWO-CIRCUIT CHANGEOVER (CH)

Make and break, reversed action.

When the switch is actuated, circuit one turns 'on' and circuit two turns 'off'.

When the switch is actuated again the two circuits are reversed, circuit one turns 'off' and circuit two turns 'on'.

### PUSH ON / PUSH OFF (OO)

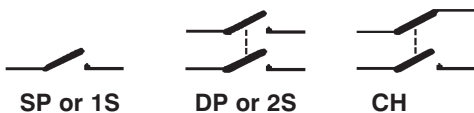
Each action returns the switch to the previous state and it stays in that state. However, unlike a switch with a lever (or similar external indication) you cannot know what state the switch is in until it is connected to an electrical circuit.

### MOMENTARY ACTION

NC - normally closed 'Push to break, release to make'  
e.g. bulb to light when a **Door** is opened.

NO - normally open 'Push to make, release to break'  
e.g. push button **Bell** action.

(Note: The 'Normal' position is when the switch is at rest i.e. NOT actuated).



**OMEG LIMITED**, Imberhorne Industrial Estate, East Grinstead, West Sussex RH19 1RJ  
Tel: 01342 410420 Fax: 01342 316253 Email: sales@omeg.com Web: www.castelco.co.uk