



SINGLE POLE PENDANT SWITCHES

(as formerly manufactured by CASTELCO)

STANDARD SWITCHES

Standard switches are supplied unassembled. They comprise a push button single pole switch and top and bottom Pendant shells.

STANDARD COLOURS

See Button and Shell Colour Tables below. The switch body is white.

RATINGS

When incorporated into Pendant Shells, the switch should not be operated on voltages exceeding 50 V a.c.

SWITCH

TYPES	ORDER CODE
Push On / Push Off (OO) Make and break action	B1OO
Momentary Action (NO) Push to make, release to break e.g. Bell Push	B1NO
Momentary Action (NC) Push to break, release to make e.g. Door open, light on	B1NC

WIRING

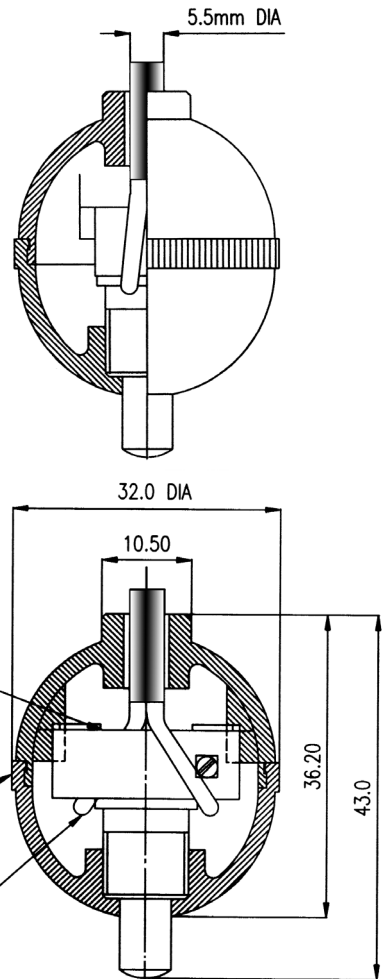
CABLE ENTRY	CLAMPING SCREW POSITION	ORDER CODE
Mounting face	Long side of body	ML

BUTTON COLOUR

BUTTON	ORDER CODE
White	W
Cream	C
Luminous	L

PENDANT SHELL COLOUR

SHELL	ORDER CODE
White	W
Cream	C
Red	R



ORDERING CODES

