



## SINGLE POLE PENDANT SWITCHES

(as formerly manufactured by CASTELCO)

### STANDARD SWITCHES

Standard switches are supplied unassembled. They comprise a push button single pole switch and top and bottom Pendant shells.

### STANDARD COLOURS

See Button and Shell Colour Tables below. The switch body is white.

### RATINGS

When incorporated into Pendant Shells, the switch should not be operated on voltages exceeding 50 V a.c.

### SWITCH

TYPES	ORDER CODE
<b>Push On / Push Off (OO)</b> Make and break action	B1OO
<b>Momentary Action (NO)</b> Push to make, release to break e.g. <b>Bell Push</b>	B1NO
<b>Momentary Action (NC)</b> Push to break, release to make e.g. <b>Door open, light on</b>	B1NC

### WIRING

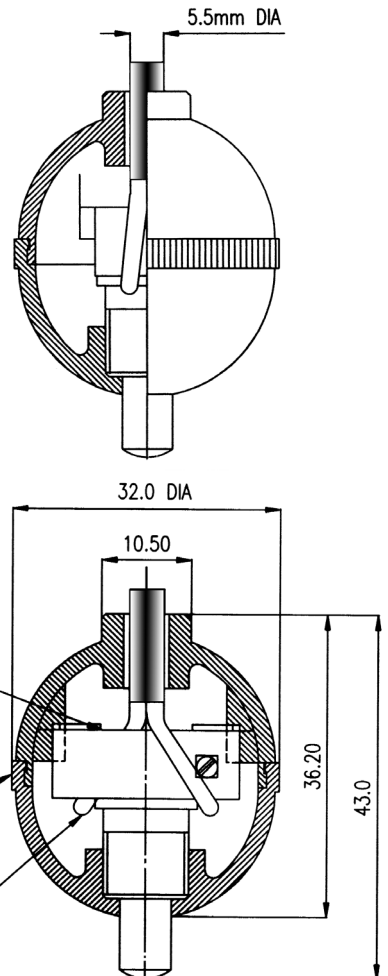
CABLE ENTRY	CLAMPING SCREW POSITION	ORDER CODE
Mounting face	Long side of body	ML

### BUTTON COLOUR

BUTTON	ORDER CODE
White	W
Cream	C
Luminous	L

### PENDANT SHELL COLOUR

SHELL	ORDER CODE
White	W
Cream	C
Red	R



### ORDERING CODES

	B1OO	ML	W	/ 5051	W
Switch	└──┘				
Wiring	└──┘	└──┘			
Button colour			└──┘		
Pendant Shell (top & bottom)				└──┘	└──┘
Pendant Shell colour					└──┘

Example above: B1OOLW/5051W is a single pole push button switch, push on/push off action, standard ML wiring, with a white push button. It is supplied with white top and bottom pendant shells.