



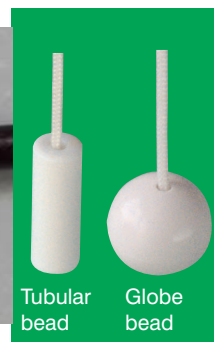
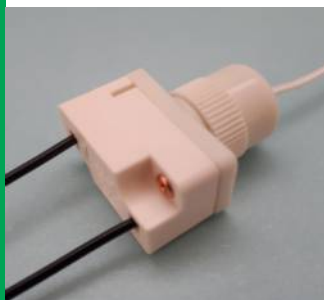
CORD PULL FOR PLUG IN CONNECTOR

RATINGS

1 A 250 V a.c.

0.5A 250 V d.c.

Silver plated contacts for low current applications



Tubular bead

Globe bead

SWITCH

TYPES	ORDER CODE
Pull On / Pull Off (OO) Make and break action	C100
Momentary Action (NO) Pull to make, release to break e.g. Bell Pull	C1NO
Momentary Action (NC) Pull to break, release to make	C1NC

MOMENTARY ACTION SWITCHES ARE NON STANDARD AND AVAILABLE UPON REQUEST

STANDARD SWITCHES

Omeg manufactured Castelco switches have a M10 metric threaded mounting bush and fixing ring.

WIRING

Wires are connected by plug in crimp connectors as detailed in the box below left.

Pre-crimped wires are available, details below

STANDARD COLOURS

The switch body and cord are white. The fixing ring and bead can be either white or cream.

WIRING

CABLE ENTRY	USE WITH CRIMP CONNECTORS	ORDER CODE
REAR FACE	MOLEX KK254 SERIES 2759	RC
	TAICOM 1012	

CORD

LENGTH	WHITE	RED	ORANGE
30 cm	030W	030R	030N
60 cm	060W	060R	060N
100 cm	100W	100R	100N
200 cm	200W	200R	200N

BEAD

TYPE	WHITE	CREAM	BLACK
Tubular (Ø 6 x 17mm)	17W	17C	17B
Tubular (Ø 8 x 22mm)	22W	22C	-
Globe (Ø 14 x 12mm)	GBW	-	-

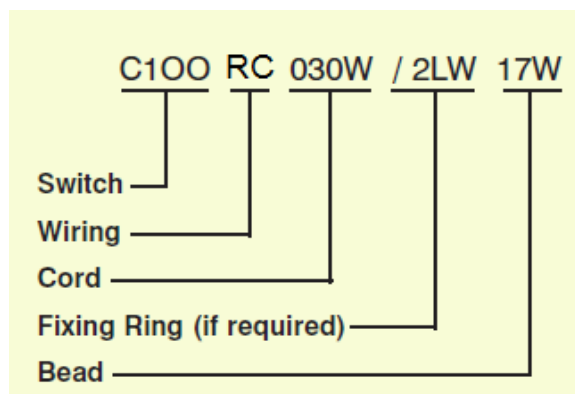
ACCESSORIES

ITEM	ORDER CODE
Fibre washer (Ø 15.9 x 1.2mm thick)	44
Hex. lock nut (M10)	65

FIXING RING

ITEM	ORDER CODE
Long fixing ring, White (<i>drawing overleaf</i>)	2LW
Long fixing ring, Cream (<i>drawing overleaf</i>)	2LC
Short fixing ring, White (<i>drawing overleaf</i>)	2SW
Short fixing ring, Cream (<i>drawing overleaf</i>)	2SC

ORDERING CODES



Example above: C100RC030W/2LW17W is a cord pull single pole switch, pull on/pull off action, crimp connector wiring, with a 30cm long white cord, a long white fixing ring and a 17mm long white tubular bead.



CORD PULL FOR PLUG IN CONNECTOR

CRIMP CONNECTOR SWITCHES

GENERAL ELECTRICAL AND MECHANICAL SPECIFICATION

Contact rating	1A/250 Vac 0.5A/250 Vdc
Life	10,000 ops min at rated load
Switch contacts	Phosphor bronze
Housing	Glass filled Polyester flame retardent
Operating temperature	-25 to + 70 C
Insulation resistance	50,000 Megohms
Proof voltage	2KV min
Contact gap	1 mm

FIXING RINGS

SHORT FIXING RING
for panel thickness 3.5 - 6.5 mm

LONG FIXING RING
for panel thickness 0.5 - 3.5 mm

WIRES

Omeg Limited can supply wires with suitable connector crimps attached.

Please contact sales for full details and to discuss your requirements



OMEG LTD, IMBERHORNE INDUSTRIAL ESTATE, EAST GRINSTEAD, WEST SUSSEX, RH19 1RJ, ENGLAND
Tel: 01342 410420 Fax: 01342 316253 sales@omeg.co.uk www.omeg.co.uk www.castelco.co.uk

All rights reserved © Omeg Ltd

CORD PULL SINGLE POLE