



PUSH BUTTON DOUBLE POLE SWITCHES

RATINGS

1 A 250 V a.c.

0.5A 250 V d.c.

Silver plated contacts for low current applications



Standard switch (SLSL wiring)



Standard switch with long fixing ring



Switch with solder tags and short fixing ring

SWITCH

TYPES	ORDER CODE
Push On / Push Off (OO) Make and break action	B2OO
Momentary Action (NO) Push to make, release to break e.g. Bell Push	B2NO
Momentary Action (NC) Push to break, release to make e.g. Door open, light on	B2NC
Push On / Push Off (CH) Make and break, reversed action	B2CH

WIRING

BASE	CABLE ENTRY	CLAMPING SCREW	ORDER CODE
First	Short Side	Long side	SLSL
Second	Short Side	Long side	
First	Mounting face	Long side	MLSL
Second	Short face	Long side	
First	Solder tags (Long side of body)		STST
Second	Solder tags (Long side of body)		

BUTTON COLOUR

BUTTON	ORDER CODE
White	W
Cream	C
Luminous	L

FIXING RINGS

ITEM	ORDER CODE
Long fixing ring, White (drawing overleaf)	6LW
Long fixing ring, Cream (drawing overleaf)	6LC
Short fixing ring, White (drawing overleaf)	6SW
Short fixing ring, Cream (drawing overleaf)	6SC

STANDARD SWITCHES

All Omeg manufactured Castelco switches have a M10 metric threaded mounting bush and fixing ring.

WIRING

Screwed terminal locations as shown overleaf (order code SLSL, see table opposite).

STANDARD COLOURS

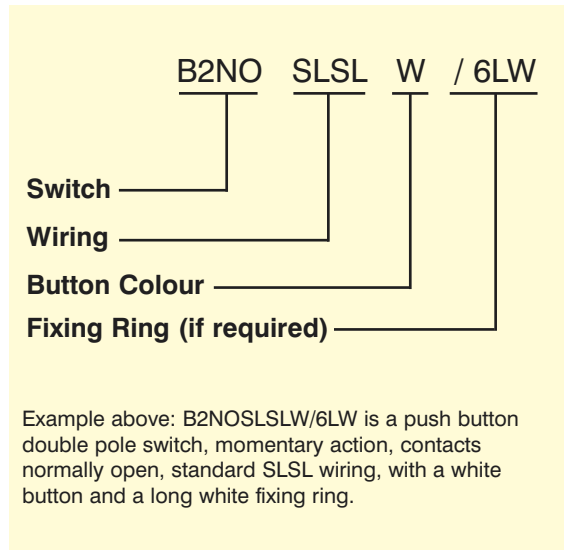
The switch body is white. The fixing ring and push button can be either cream or white.

NOTE: Switches with luminous buttons do not have luminous fixing rings.

ACCESSORIES

ITEM	ORDER CODE
Fibre washer (Ø15.9 x 1.2mm thick)	44
Hex. lock nut (M10)	65

ORDERING CODES

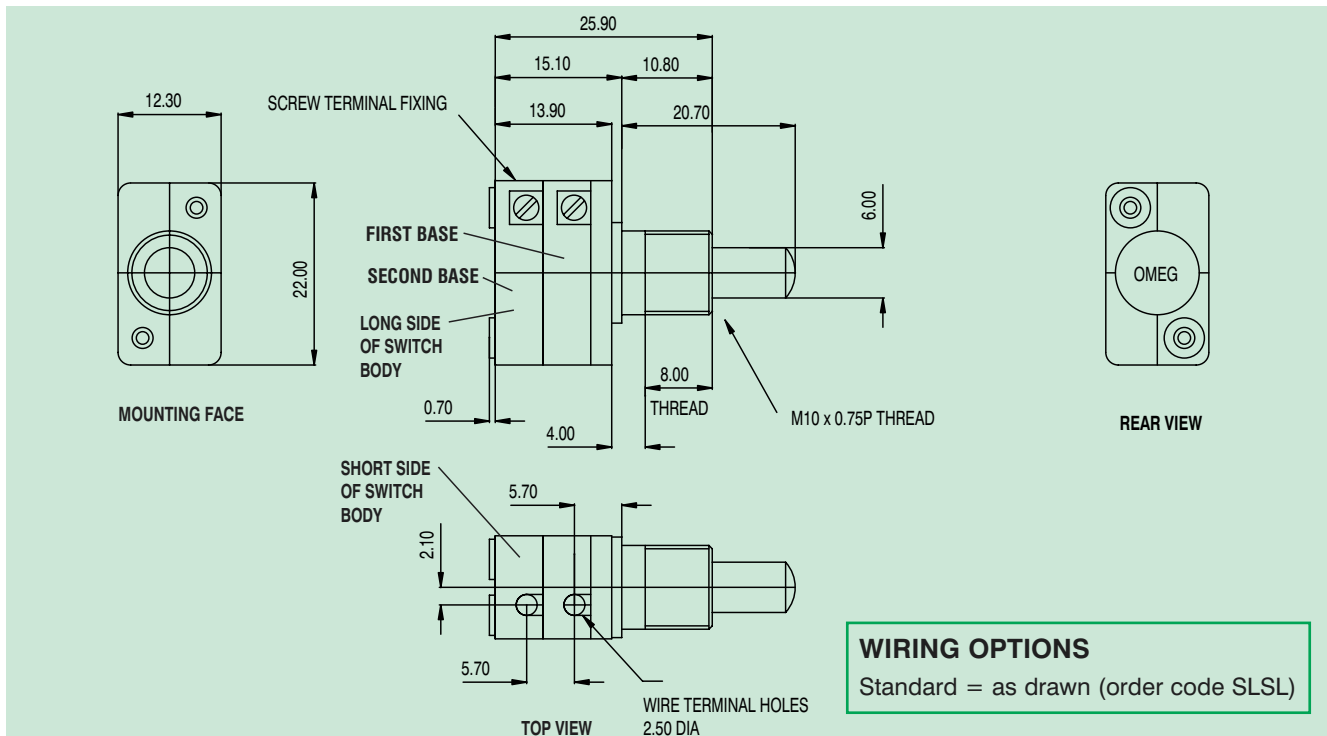




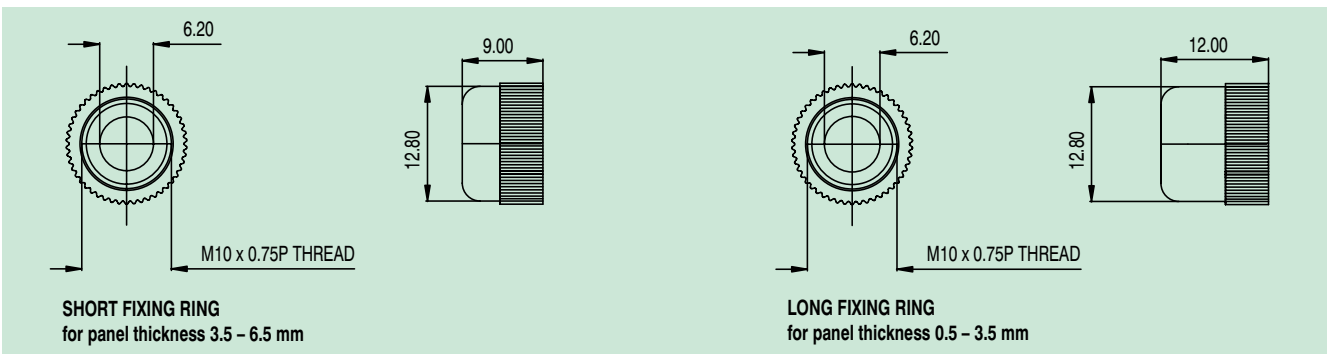
PUSH BUTTON DOUBLE POLE SWITCHES

(as formerly manufactured by CASTELCO)

STANDARD UNITS



FIXING RINGS



GLOSSARY OF SWITCH TERMINOLOGY

SINGLE POLE (SP or 1S)

One circuit that is turned 'on' and then 'off' with each actuation. This action can be momentary.

DOUBLE POLE (DP or 2S)

Two independent circuits that are turned 'on' and then 'off' with each actuation. This action can be momentary.

TWO-CIRCUIT CHANGEOVER (CH)

Make and break, reversed action.

When the switch is actuated, circuit one turns 'on' and circuit two turns 'off'.

When the switch is actuated again the two circuits are reversed, circuit one turns 'off' and circuit two turns 'on'.

PUSH ON / PUSH OFF (OO)

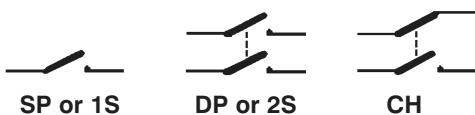
Each action returns the switch to the previous state and it stays in that state. However, unlike a switch with a lever (or similar external indication) you cannot know what state the switch is in until it is connected to an electrical circuit.

MOMENTARY ACTION

NC - normally closed 'Push to break, release to make' e.g. bulb to light when a **Door** is opened.

NO - normally open 'Push to make, release to break' e.g. push button **Bell** action.

(Note: The 'Normal' position is when the switch is at rest i.e. NOT actuated).



OMEG LTD, IMBERHORNE INDUSTRIAL ESTATE, EAST GRINSTEAD, WEST SUSSEX, RH19 1RJ, ENGLAND
Tel: 01342 410420 Fax: 01342 316253 sales@omeg.co.uk www.omeg.co.uk www.castelco.co.uk

PUSH BUTTON DOUBLE POLE